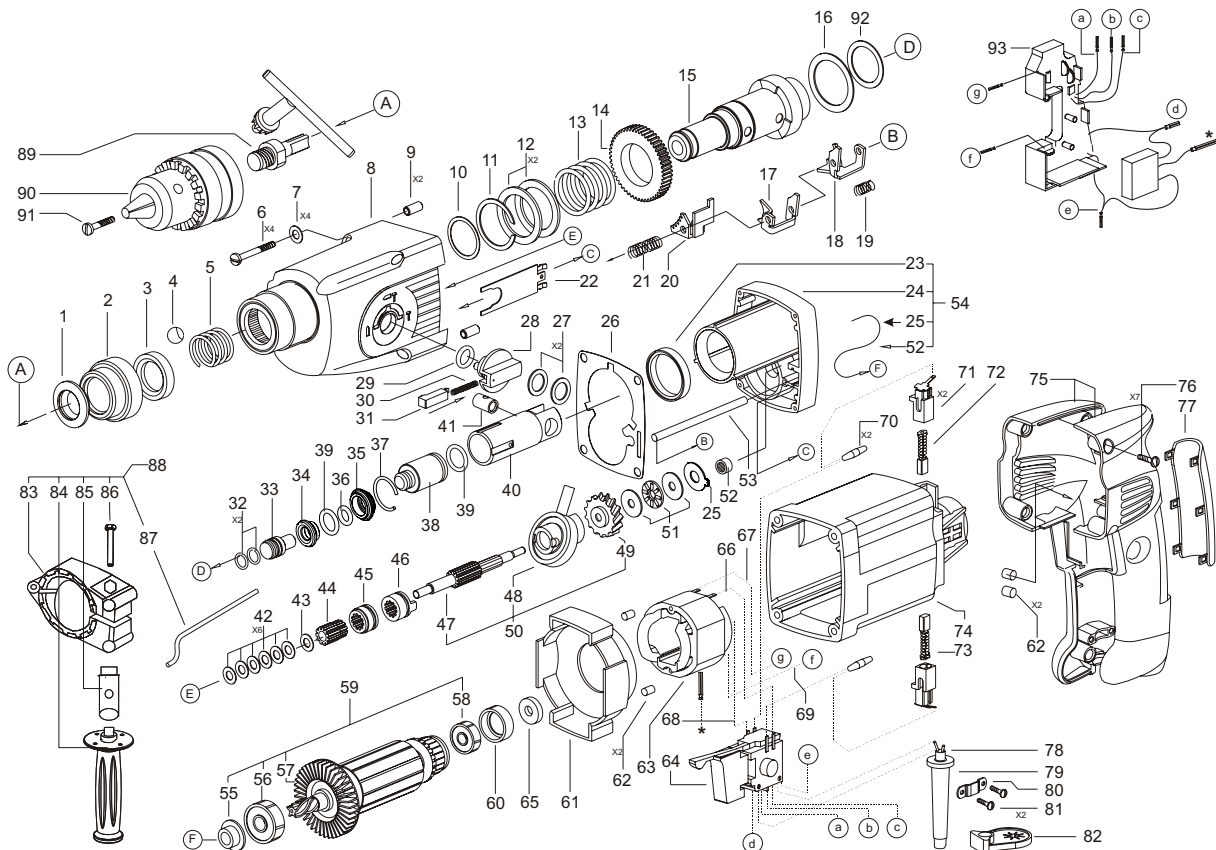


POS. No.	Ref.No.	Description	POS. No.	Ref.No.	Description
1	126964	Circlip	47	151378	Gear shaft
2	170063	Releasing bush	48	126994	Rolling thrust bearing
3*	156064	Ring	49	154585	Large intermediate gear
3	175345	Limit location Ring	50	154583	Gear shaft complement
4	330097	Pellet 6,747-100	51	330915	Bearing AX 0821 INA
5	156066	Spring	52	330119	Bearing HK0609
6	360449	Screw M4X40/20 8.8	53	126997	Axle
7	360010	Spring washer 4H	54	154571	Bearing shield set
8	154812	Gear box set	55	150144	Bush
9	127034	Bush	56	330291	Bearing 60002ZP63LDS18
10	126982	Spacer washer	57	121852	Fan
11	330745	Circlip B30-4B	58	330287	Bearing 627-2ZP6LDS18
12	127035	Spacer washer	59	151208	Armature set
13	130731	Spring	60	164934	Rubber bush
14	126971	Spindle gear	61	129789	Diffuser
15	156067	Spindle	62	272960	Clamping pin
16	126983	Spacer washer	63	120831	Stator set
17	151375	Switching plate	64	173354	Switch Defond DGQ 1112-HF
18	151374	Switching plate	65	151205	Washer
19	151413	Spring	66	128989	Outlet
20	151376	Locking panel	67	116528	Outlet
21	126998	Spring	68	127558	Outlet
22	151377	Spring	69	116546	Outlet
23	150138	Bearing	70	116229	Choke
24	154497	Bearing shield	71	126917	Brush holder set
25	154499	Special Washer	72	125052	Brush with a switch
26	126996	Gasket	73	125051	Brush
27	115431	Spacer washer	74	151225	Body
28	170071	Switch knob	75	151204	Casing handle set
29	330337	O-ring 13x1.5	76	361425	Screw K4X16 TORX 20
30	127005	Spring	77	128006	Insert
31	170072	Fixing bit	78	127979	Cord with a plug
32	330676	O-ring 10x1.5 - FPM70	79	125053	Cord protector
33	130735	Medial mandrel	80	256500	Cord clamp
34	154451	Bush	81	361360	Screw K 4X9.5 TORX 20
35	154452	Bush	82	160963	Key holder
36	331283	O-ring 9x3 - FPM70	83	152479	Semi-ring comple
37	330888	Spring ring	84	121265	Handle
38	130739	Piston	85	153840	Handle extension
39	330236	O-RING 14X3C	86	360860	Boif D1-M8X45
40	127036	Cylinder	87	151159	Depth gauge
41	128408	Axle	88	153842	Auxiliary handle set
42	115221	Spring 12x6,2x0,5	89	127040	Adapter for chuck
43	126987	Spacer washer	90	118984	Chuck B13L
44	151379	Spindle gear II for Gear shaft	91	360582	Screw M6LHX30-8.8
45	151373	Bush	92	150137	Spacer washer
46	151372	Bush	93	151203	Electronic block

\* - till 27.Apr.2014



173197

157607